



Main Features:-

- ◆ Reduced Bore Ball Valve
- ◆ DN15 to DN100 PN25
- ◆ Female BSP Ends
- ◆ Working Temperature -20°C to 110°C *
- ◆ Maximum working pressure 25 bar

*Temperature and pressure determined by valve body, seat etc.



Suitable Applications & Approvals:



HVAC



OIL



GAS



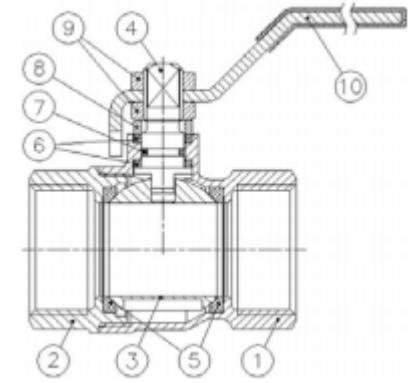
INDUSTRY

SERIES: 80052

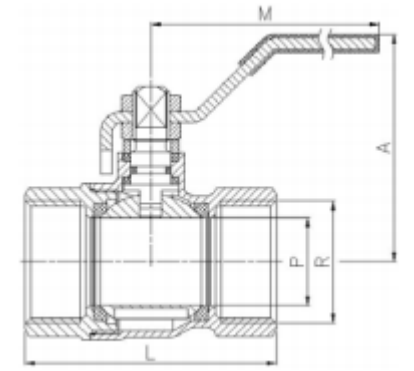
MANUFACTURER: **GENEBRE**

VALVE MATERIALS & DIMENSIONS

ITEM	SECTION	MATERIAL	ADDITIONAL INFO / OPTIONS
1	Body	Brass	Peened + Chromed
2	Cap	Brass	Peened + Chromed
3	Ball	Brass	Chrome Plated
4	Stem	Brass	Chrome Plated
5	Ball Seat	PTFE	n/a
6	Stem Packing	PTFE	n/a
7	O'Ring	NBR	n/a
8	Stem Ring	Brass	Chrome Plated
9	Nut	Brass	Chrome Plated
10	Handle	Steel	n/a



REF	SIZE	DN	P	A	L	M	Kg
80052-04	1/2"	15	14	46	44	84	0.130
80052-05	3/4"	20	18	50	51	98	0.200
80052-06	1"	25	23	57	61	98	0.320
80052-07	1 1/4"	32	27	63	71	126	0.420
80052-08	1 1/2"	40	34	74	81	126	0.655
80052-09	2"	50	43	83	93	158	0.975
80052-10	2 1/2"	65	52	96	118	158	1.845
80052-11	3"	80	65	123	137	196	3.035
80052-12	4"	100	79	137	163	265	4.725



T +44 (0)1386 552369

E sales@allvalves.co.uk

W www.allvalves.co.uk

F +44 (0)1386 554227



Genebre are a global brand of industrial valves with large stocks held for fast delivery on various type of valves, sizes, end connections and materials.

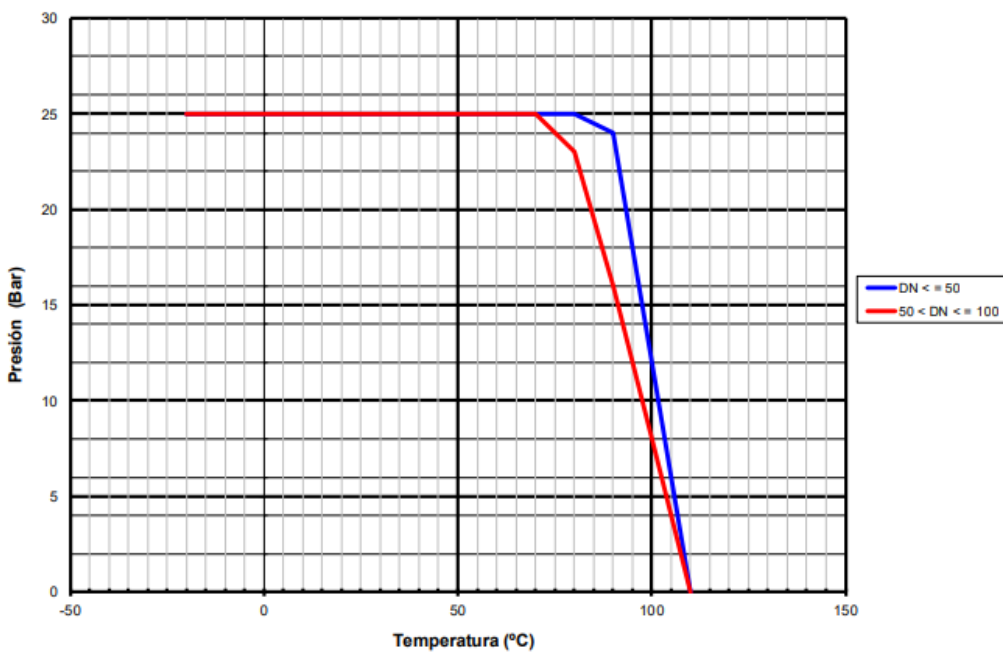
SERIES: 80052

TORQUE / Kv VALUES / PRESSURE & TEMP CHART

REF	SIZE	TORQUE Nm	REF	SIZE	Kv	TORQUE :
80052-04	1/2"	N/A	80052-04	1/2"	15	<p>- The liquid listed in the table are initial breakaway torques, taken with liquids and lubricant media.</p> <p>- Please regard these as approximate values, as the objective value on different factors like pressure, medium, rubber</p>
80052-05	3/4"	N/A	80052-05	3/4"	26	
80052-06	1"	N/A	80052-06	1"	42	
80052-07	1 1/4"	N/A	80052-07	1 1/4"	58	
80052-08	1 1/2"	N/A	80052-08	1 1/2"	82	
80052-09	2"	N/A	80052-09	2"	150	
80052-10	2 1/2"	N/A	80052-10	2 1/2"	230	
80052-11	3"	N/A	80052-11	3"	315	
80052-12	4"	N/A	80052-12	4"	400	

PRESSURE AND TEMPERATURE CHART

GENEBRE



Genebre is a leading company and world reference in fluid control and high-quality taps. They control all the creation processes, responding to the specific needs of each market: from the initial concept and design of the product to the production and commercialization.



T +44 (0)1386 552369

E sales@allvalves.co.uk

W www.allvalves.co.uk

F +44 (0)1386 554227